

### Occupational Therapy Minor Home Modification

**Occupational Therapist**

Name:  
 Organisation:  
 Phone:  
 Email:  
 Days Available:

**Client**

Full Name:  
 Address:  
 Phone:  
 DOB:  
 Contact Person:

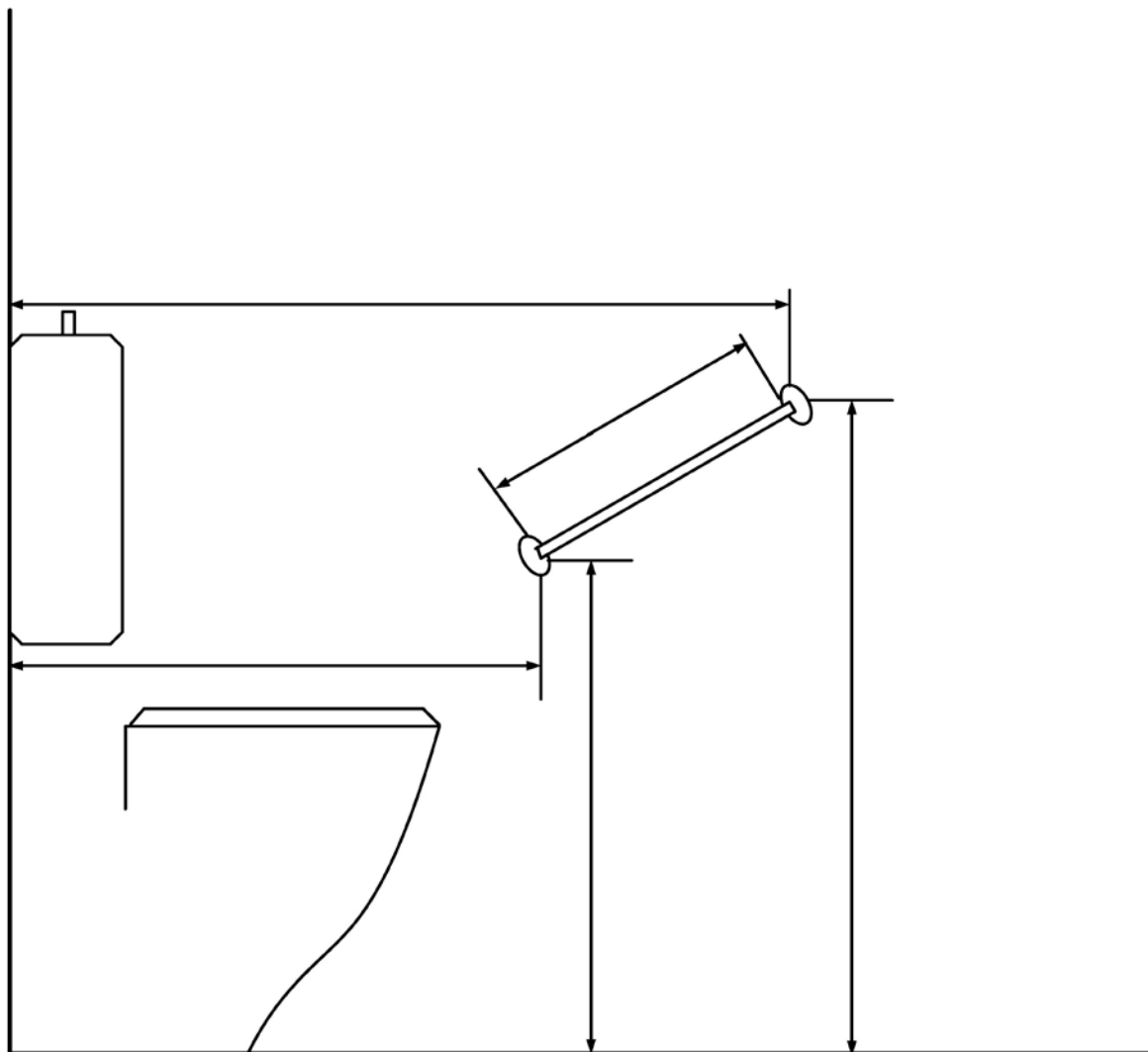
**Date:**

**Toilet: Angled Grabrail - Left hand side when seated**

**Location:**

- main bathroom
- ensuite
- other (specify).....

Record dimensions in mm on diagram





**Occupational Therapist**

Name:  
Organisation:  
Phone:  
Email:  
Days Available:

**Client**

Full Name:  
Address:  
Phone:  
DOB:  
Contact Person:

**Date:**

**Toilet: Angled Grabrail - Left hand side when seated**

**Location:**  main bathroom  ensuite  other (specify).....

**Occupational Therapy Specifications**

1. Install an angled grabrail in  main bathroom  ensuite  other (specify).....  
.....  
on wall on left hand side of toilet when seated
2. Minimum length of grabrail .....mm. Diameter of grabrail ..... mm
3. Lowest fixing point to be .....mm above finished floor surface and .....mm from back wall
4. Highest fixing point to be .....mm above finished floor surface and .....mm from back wall
5. Colour/finish (if required)  
.....  
.....
6. Wall type  Stud  Solid  Uncertain
7. Weight of client (if over 100kg) .....kg
8. Other  
.....  
.....  
.....  
.....

**OT Signature:** \_\_\_\_\_

**Date:** \_\_\_\_\_

**Not to scale All measurements in mm**

**Note:** Grabrails must be secured to studs at both ends. Lengthen to fit studs, if required. If technical difficulties arise please contact the Occupational Therapist prior to or after completion of the work. If the client wishes to alter the specifications please contact the Occupational Therapist prior to work commencing.

**Disclaimer:** The recommendations contained in this form are made after consultation with the client and an investigation of the client's circumstances and needs. Their purpose is to outline steps required to be taken for the benefit of the client, having regard for his or her disabilities. They do not purport to reflect other than limited knowledge on the part of the Occupational Therapist of structural considerations and building codes. Any queries, concerns or alterations considered necessary for compliance with current building regulations must be discussed with the Occupational Therapist before quoting for the cost of the work and before the work proceeds. The Occupational Therapist accepts no responsibility for supervision of the work or for the quality of the workmanship.