

Occupational Therapy Minor Home Modification

Occupational Therapist

Name:
Organisation:
Phone:
Email:
Days Available:

Client

Full Name:
Address:
Phone:
DOB:
Contact Person:

Date:

Bath: Hand Held Shower Hose

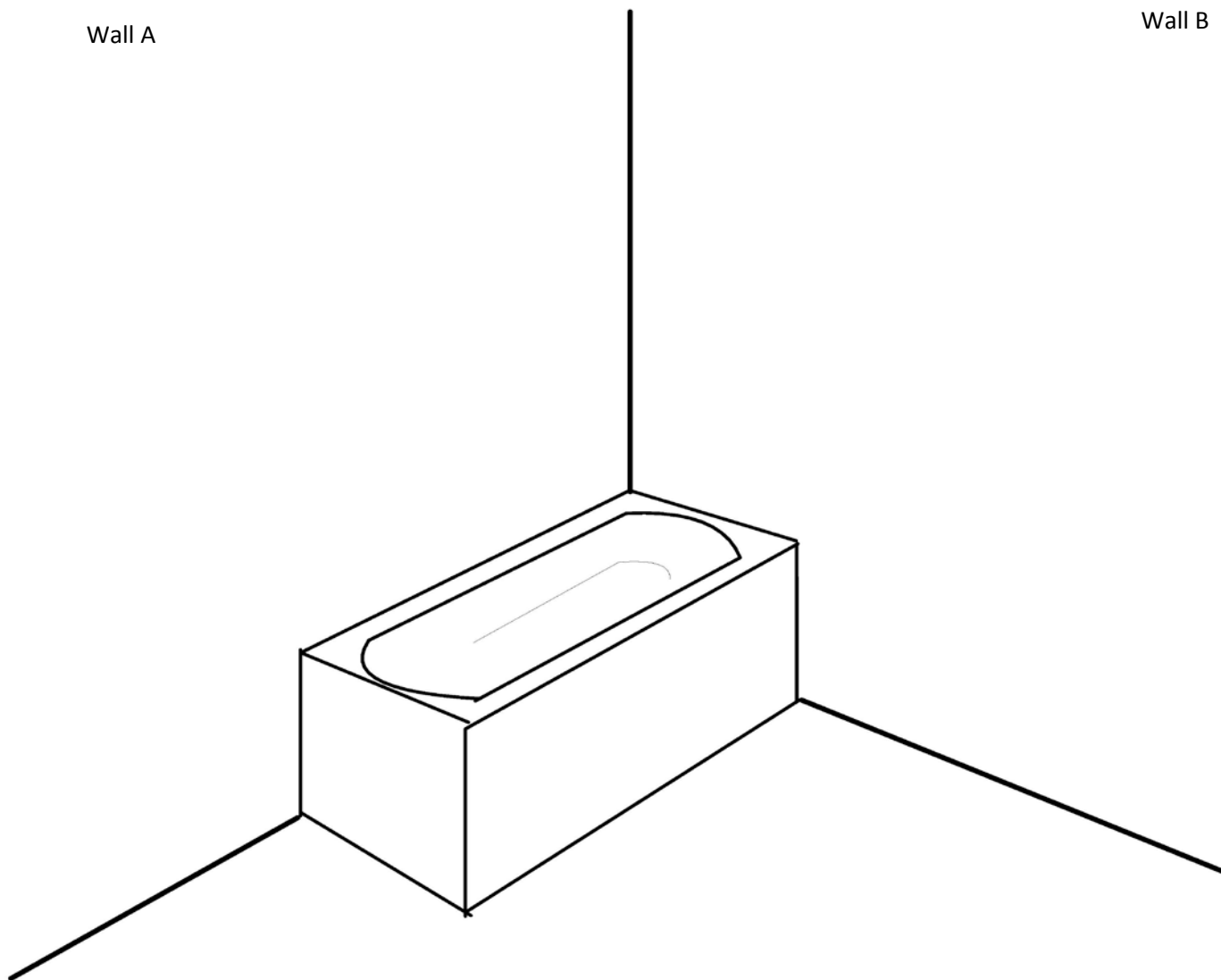
Location:

- main bathroom
- ensuite
- other (specify).....

Draw shower head support grabrail or HSH mounting position (hook) and record dimensions in mm on diagram

Wall A

Wall B



Occupational Therapist

Name:
Organisation:
Phone:
Email:
Days Available:

Client

Full Name:
Address:
Phone:
DOB:
Contact Person:

Date:

Bath: Hand Held Shower Hose

Location: main bathroom ensuite other (specify).....

Occupational Therapy Specifications

1. Install amm length **Hand Held Shower Hose (HSH)** on Wall and to be either:
 - Shower head support grabrail (weight bearing grabrail). Length of grabrailmm.
Lowest fixing point above bath edge to bemm. Distance from cornermm.
 - OR**
 - HSH mounting position ie **hook***. Height above bath edgemm.
Distance from corner of wallmm.

2. Diverter Switch Yes/No
3. Colour/finish (if required)

.....

4. Wall type Stud Solid Uncertain

5. Weight of client (if over 100kg)kg

6. Other

.....
.....
.....

OT Signature: _____ **Date:** _____

***hooks also refer to peg/bracket**

Not to scale All measurements in mm

Note: Shower head support grabrail must be secured to studs at both ends. If technical difficulties arise please contact the Occupational Therapist prior to or after completion of the work. If the client wishes to alter the specifications please contact the Occupational Therapist prior to work commencing.

Disclaimer: The recommendations contained in this form are made after consultation with the client and an investigation of the client's circumstances and needs. Their purpose is to outline steps required to be taken for the benefit of the client, having regard for his or her disabilities. They do not purport to reflect other than limited knowledge on the part of the Occupational Therapist of structural considerations and building codes. Any queries, concerns or alterations considered necessary for compliance with current build9ing regulations must be discussed with the Occupational Therapist before quoting for the cost of the work and before the work proceeds. The Occupational Therapist accepts no responsibility for supervision of the work or for the quality of the workmanship.